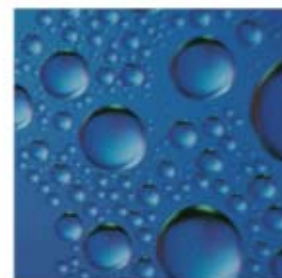


# Ballvalve Type 745515

with external and internal threads, reduced bore  
VA and SITAC approved



Version 01\_06



**Ballvalve with internal and external threads:**

**Application:**

Stopvalve for watersupply, applicable for drilling under pressure

**Test:**

JCH 100% test

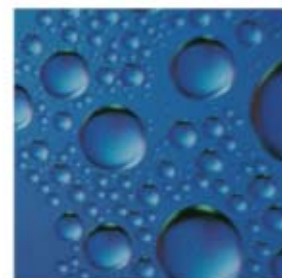
**Accessory:**

installation units: No.: 145221-000 and No.: 145223-000  
the installation units can be ordered in two different sizes:  
900-1500mm and 1100-1900mm

**Materiale**

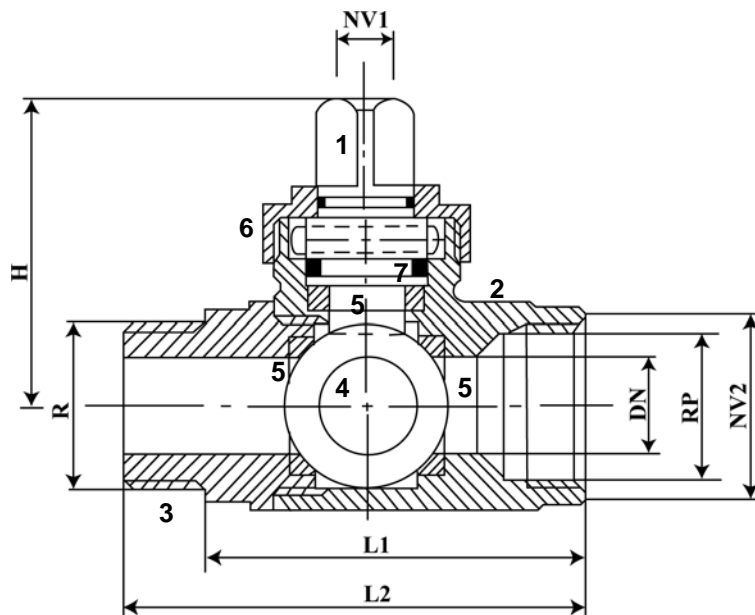
Body:	DZR Brass CW602N
Nippel:	DZR Brass CW602N
Spindle:	Stainless steel - AISI 303
Spindle-gasket:	SEDI PTFE + O-rings of NBR rubber
Ball:	Stainless acid proof steel - AISI 316
Top gasket:	NBR o-rings
Top union:	DZR Brass CW602N
Gasket inside:	SEDI PTFE

# JCH Balvalve Type 745515 with 16mm square head spindle



Version 01\_06

ballvalve type 745515 is applicable as stopvalve in watersupplys the pipeconnections gives many diffrent opptunities, ballvalve type 745515 is quikly and easily to install and use, made of the finest and best materials



## Components:

- |                      |                |
|----------------------|----------------|
| 1. Spindle           | 6. Union nut   |
| 2. Body              | 7. NBR O-rings |
| 3. Nippel            |                |
| 4. Ball              |                |
| 5. SEDI PTFE gaskets |                |

Oder no.	R "	DN mm	L1 mm	L2 mm	H mm	NV1 mm	NV2 mm	weight kg
745515-006	¾"	15	61	75	58	16	32	0,6
745515-008	1"	20	79	95	61	16	39	0,9
745515-010	1¼"	25	89	107	66	16	42	1,3
745515-011	1½"	32	100	120	71	16	56	1,6
745515-012	2"	40	106	128	81	16	70	2,6

## J.C.HANSENS METALVAREFABRIK ApS

Karetmagervej 21 | DK-7100 Vejle | Tel. +45 75 85 84 08 | Fax +45 75 85 80 82  
jchansen@jchansen.dk | www.jchansen.dk