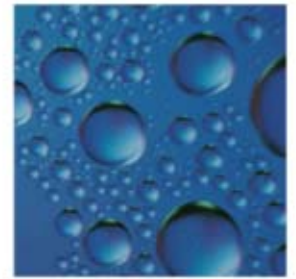


JCH Ballvalve Type 745514

With PRK compression joints, full bore
VA and SITAC approved



Version 01_06



Ballvalve with compression joints full bore

Application:

Stop valve for watersupply, applicable for drilling under pressure

Test:

JCH 100% test

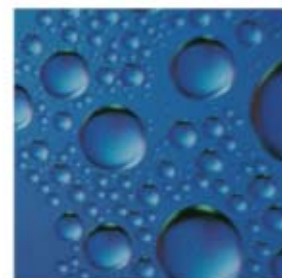
Accessory:

installation units: No.: 145221-000 and No.: 145223-000
the installation units can be ordered in two different sizes:
900-1500mm and 1100-1900mm

Material

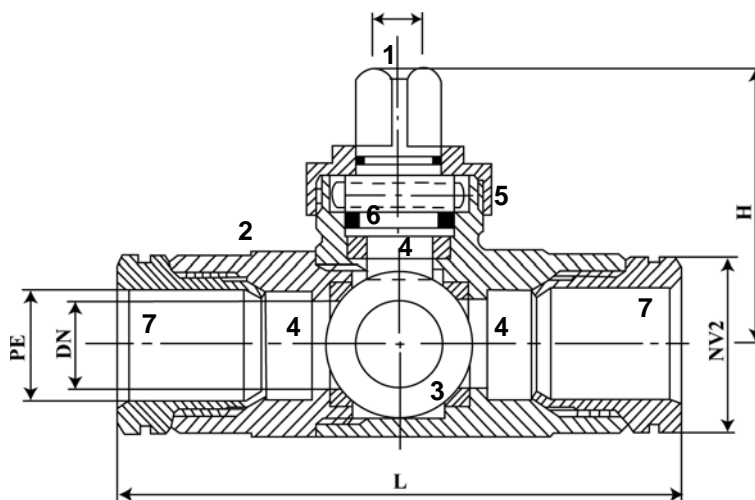
Compression joint:	Acetal-plastic
body:	DZR brass CW602N
Spindle:	Stainless steel - AISI 303
Spindle gasket:	SEDI PTFE + O-rings of NBR rubber
Ball:	Stainless acidproof steel - AISI 316
Top gasket:	NBR o-rings
Top union:	DZR brass CW602N
Gasket inside:	SEDI PTFE

JCH Ballvalve Type 745514 with 16mm square-head spindle



Version 01_06

ballvalve type 745514 is applicable as stopvalve in watersupplys the compression joints gives many different opportunities it can be used for drilling because of the full bore, ballvalve type 745514 is quickly and easily to install and use, made of the finest and best materials



Components

- | | |
|----------------------|--------------------------|
| 1. Spindle | 5. Union nut |
| 2. Body | 6. NBR O-rings |
| 3. Ball | 7. PRK compression joint |
| 4. SEDI PTFE gaskets | |

Order no.	PE mm	DN mm	L mm	H mm	NV1 mm	NV2 mm	weight kg
745514-025	25	20	129	61	16	40	0,9
745514-032	32	25	156	66	16	48	1,4
745514-040	40	32	172	71	16	55	1,9
745514-050	50	40	197	81	16	69	3,2

J.C.HANSENS METALVAREFABRIK ApS

Karetmagervej 21 | DK-7100 Vejle | Tel. +45 75 85 84 08 | Fax +45 75 85 80 82
jchansen@jchansen.dk | www.jchansen.dk