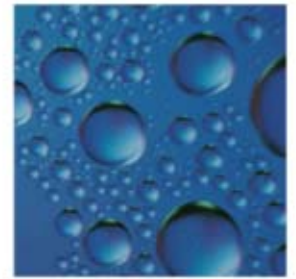


JCH Ballvalve Type 745513

with internal threads, full bore
VA and SITAC approved



Version 01_06



JCH Ballvalve with internal threads:

Application:

Stopvalve for watersupply, applicable for drilling under pressure

Test:

JCH 100% test

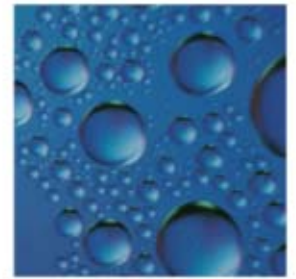
Accessory:

installation units: No.: 145221-000 and No.: 145223-000
the installation units can be ordered in two different sizes:
900-1500mm and 1100-1900mm

Material

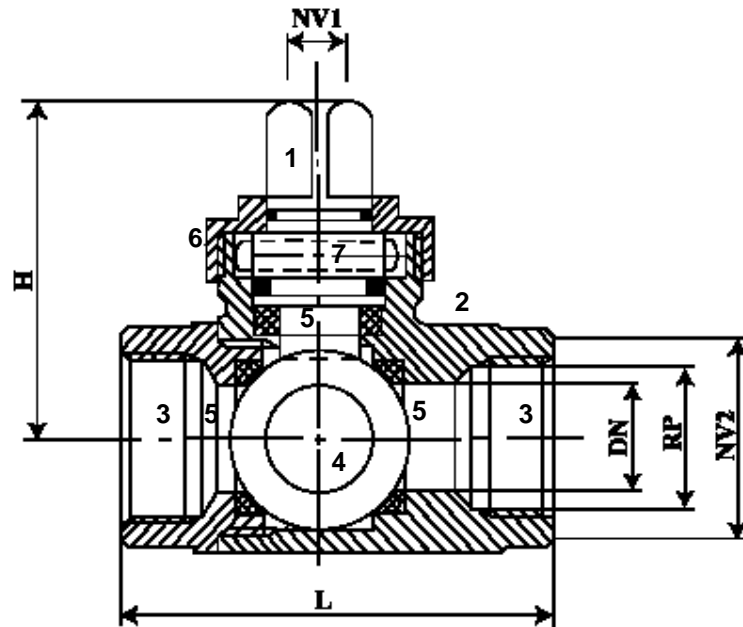
Body:	DZR Brass CW602N
pipecoupling:	DZR Brass CW602N
Spindle:	Stainless steel - AISI 303
Spindle-gasket:	SEDI PTFE + O-rings of NBR rubber
Ball:	stainless acid proof steel - AISI 316
Top gasket:	NBR o-rings
Top union:	DZR Brass CW602N
Gasket inside:	SEDI PTFE

JCH Balvalve Type 745513 with 16mm square head spindle



Version 01_06

ballvalve type 745513 is applicable as stopvalve in watersupplys the pipeconnections gives many different opportunities it can be used for drilling because of the full bore ballvalve type 745513 is quickly and easily to install and use, made of the finest and best materials



components

1. Spindle
2. Body
3. connector
4. ball
5. SEDI PTFE gaskets

6. Union nuts
7. NBR O-rings

Order no..	RP	DN mm	L mm	H mm	NV1 mm	NV2 mm	weightt kg
745513-006	¾"	20	79	61	16	39	0,8
745513-008	1"	25	82	66	16	42	1,0
745513-010	1¼"	32	103	71	16	56	1,7
745513-011	1½"	40	107	81	16	70	2,5
745513-012	2"	50	120	89	16	70	3,3

J.C.HANSENS METALVAREFABRIK ApS

Karetmagervej 21 | DK-7100 Vejle | Tel. +45 75 85 84 08 | Fax +45 75 85 80 82
jchansen@jchansen.dk | www.jchansen.dk