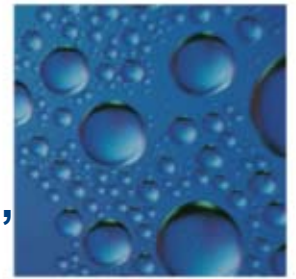


# JCH Ballvalve Type 745512

With external threads and PRK compression joints,  
full bore

VA and SITAC approved



Version 01\_06



## JCH Ballvalve with nipple and compression joints

### Application:

Stop valve for watersupply, applicable for drilling under pressure

### Test:

JCH 100% test

### Accessory:

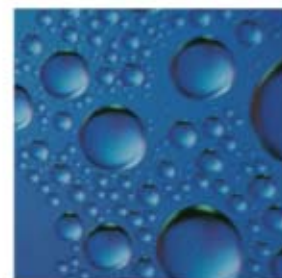
installation units: No.: 145221-000 and No.: 145223-000  
the installation units can be ordered in two different sizes:  
900-1500mm and 1100-1900mm

## Material

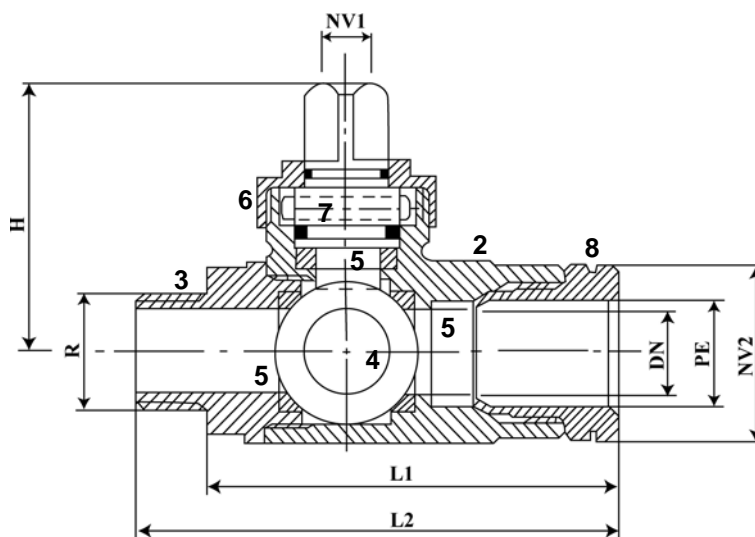
Compression joint:	Acetal-plastic
Body:	DZR Brass CW602N
Nippel:	DZR Brass CW602N
Spindle:	Stainless steel - AISI 303
Spindle gasket-pakning:	SEDI PTFE + O-rings of NBR rubber
Ball:	Stainless acid proof steel - AISI 316
Top gasket:	NBR o-rings
Top union:	DZR Brass CW602N
Gasket inside:	SEDI PTFE

# JCH Ballvalve Type 745512 with 16mm square head spindle

JCH ballvalve type 745512 is applicable as stopvalve in watersupply the compression joint gives many different opportunities it can be used for drilling because of the full bore, ballvalve type 745512 is quickly and easily to install and use, made of the finest and best materials



Version 01\_06



## Components

- |                      |                          |
|----------------------|--------------------------|
| 1. Spindle           | 6. Union nut             |
| 2. Body              | 7. NBR O-rings           |
| 3. Nipple            | 8. PRK compression joint |
| 4. Ball              |                          |
| 5. SEDI PTFE gaskets |                          |

Order no.	R "	PE mm	DN mm	L1 mm	L2 mm	H mm	NV1 mm	NV2 mm	weight kg
745512-025	¾	25	20	98	114	95	16	40	0,9
745512-032	1	32	25	115	133	107	16	48	1,3
745512-040	1¼	40	32	130	148	118	16	55	1,9
745512-050	1½	50	40	146	166	122	16	69	3,0

## J.C.HANSENS METALVAREFABRIK ApS

Karetmagervej 21 | DK-7100 Vejle | Tel. +45 75 85 84 08 | Fax +45 75 85 80 82  
jchansen@jchansen.dk | www.jchansen.dk