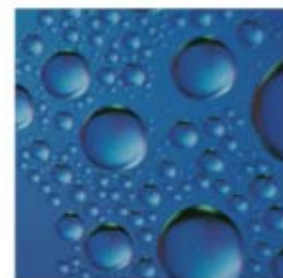


# Ballvalve Type 745511

with external and internal threads, full bore  
VA and SITAC approved



Version 01\_06



**Ballvalve with internal threads:**

**Application:**

Stopvalve for watersupply, applicable for drilling under pressure

**Test:**

JCH 100% test

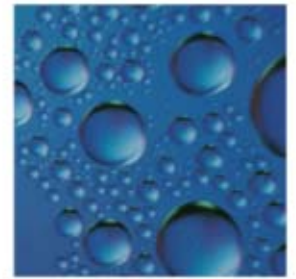
**Accessory:**

installation units: No.: 145221-000 and No.: 145223-000  
the installation units can be ordered in two different sizes:  
900-1500mm and 1100-1900mm

**Material**

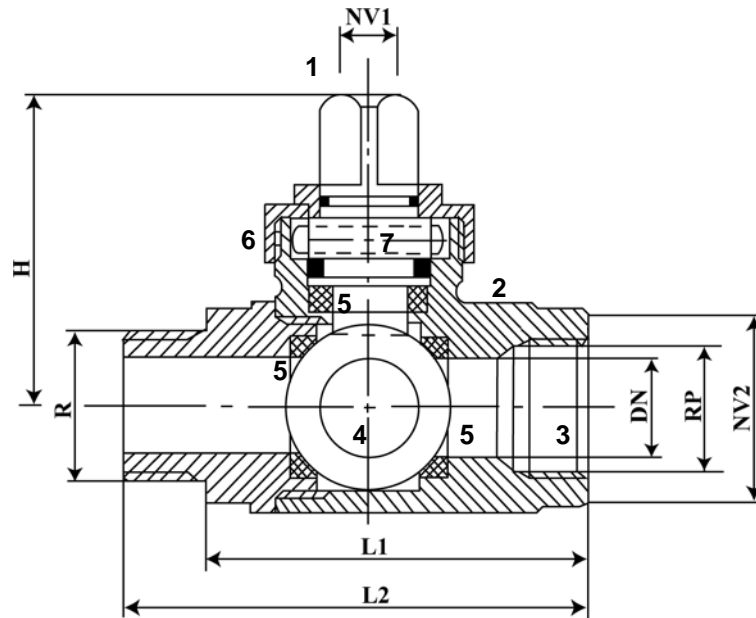
Body:	DZR Brass CW602N
Nippel:	DZR Brass CW602N
Spindle:	Stainless steel - AISI 303
Spindle-gasket:	SEDI PTFE + O-rings of NBR rubber
Ball:	Stainless acid proof steel - AISI 316
Top gasket:	NBR o-rings
Top union:	DZR Brass CW602N
Gasket inside:	SEDI PTFE

# JCH Balvalve Type 745511 with 16mm square head spindle



Version 01\_06

ballvalve type 745511 is applicable as stopvalve in watersupplys the pipeconnections gives many diffrent oppturnities it can be used for drilling because of the full bore, ballvalve type 745511 is quikly and easily to install and use, made of the finest and best materials



## Components

- 1. Spindle
- 2. Body
- 3. connector
- 4. ball
- 5. SEDI PTFE gaskets
- 6. Union nuts
- 7. NBR O-rings

Order no.	DN	L1 mm	L2 mm	H mm	NV1 mm	NV2 mm	weightt kg
745511-006	20	79	95	61	16	39	0,9
745511-008	25	89	107	66	16	42	1,1
745511-010	32	100	118	71	16	56	1,8
745511-011	38	102	122	81	16	70	2,6
745511-012	50	114	136	89	16	70	3,5

## J.C.HANSENS METALVAREFABRIK ApS

Karetmagervej 21 | DK-7100 Vejle | Tel. +45 75 85 84 08 | Fax +45 75 85 80 82  
jchansen@jchansen.dk | www.jchansen.dk